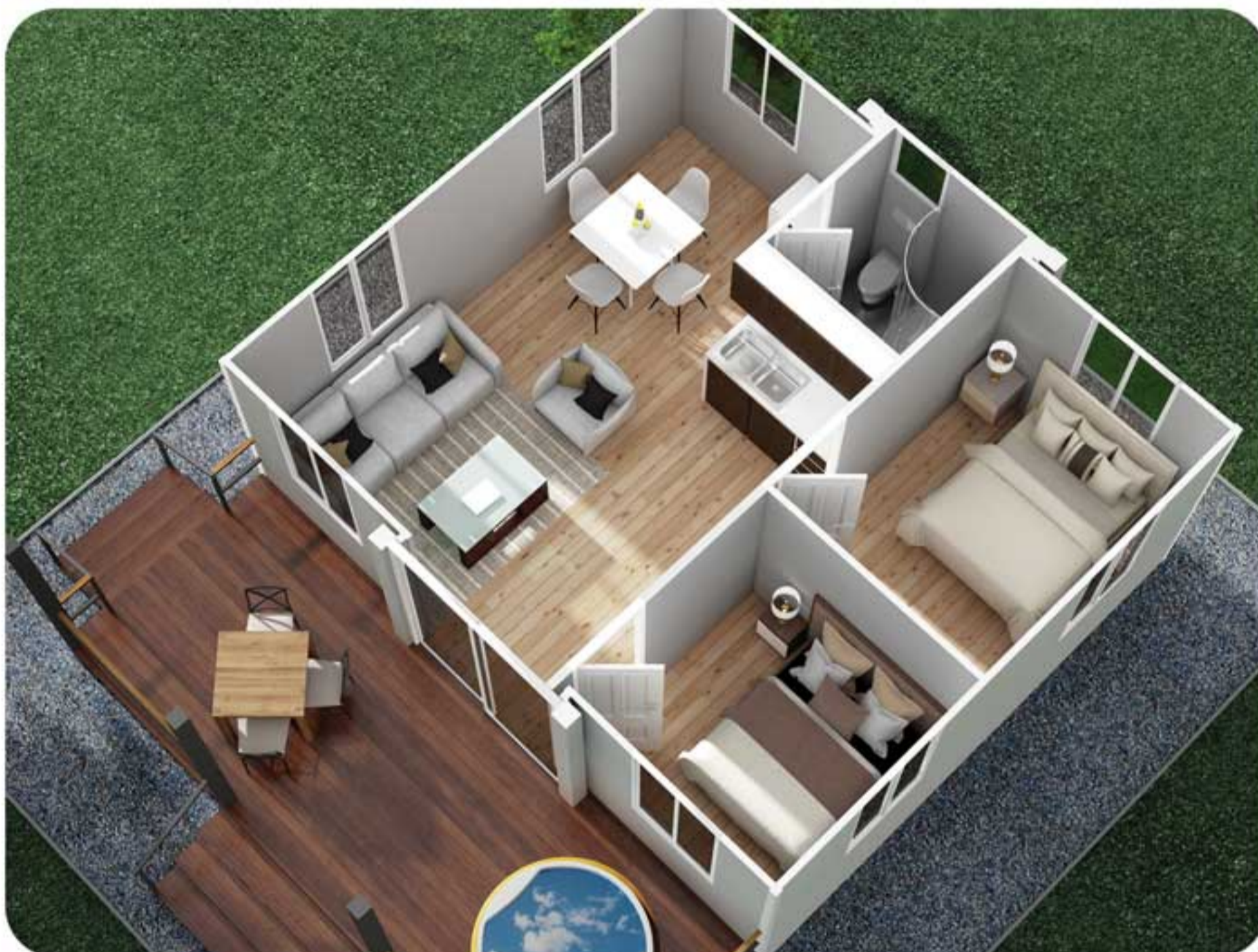


Standard Expander - 2 bedroom

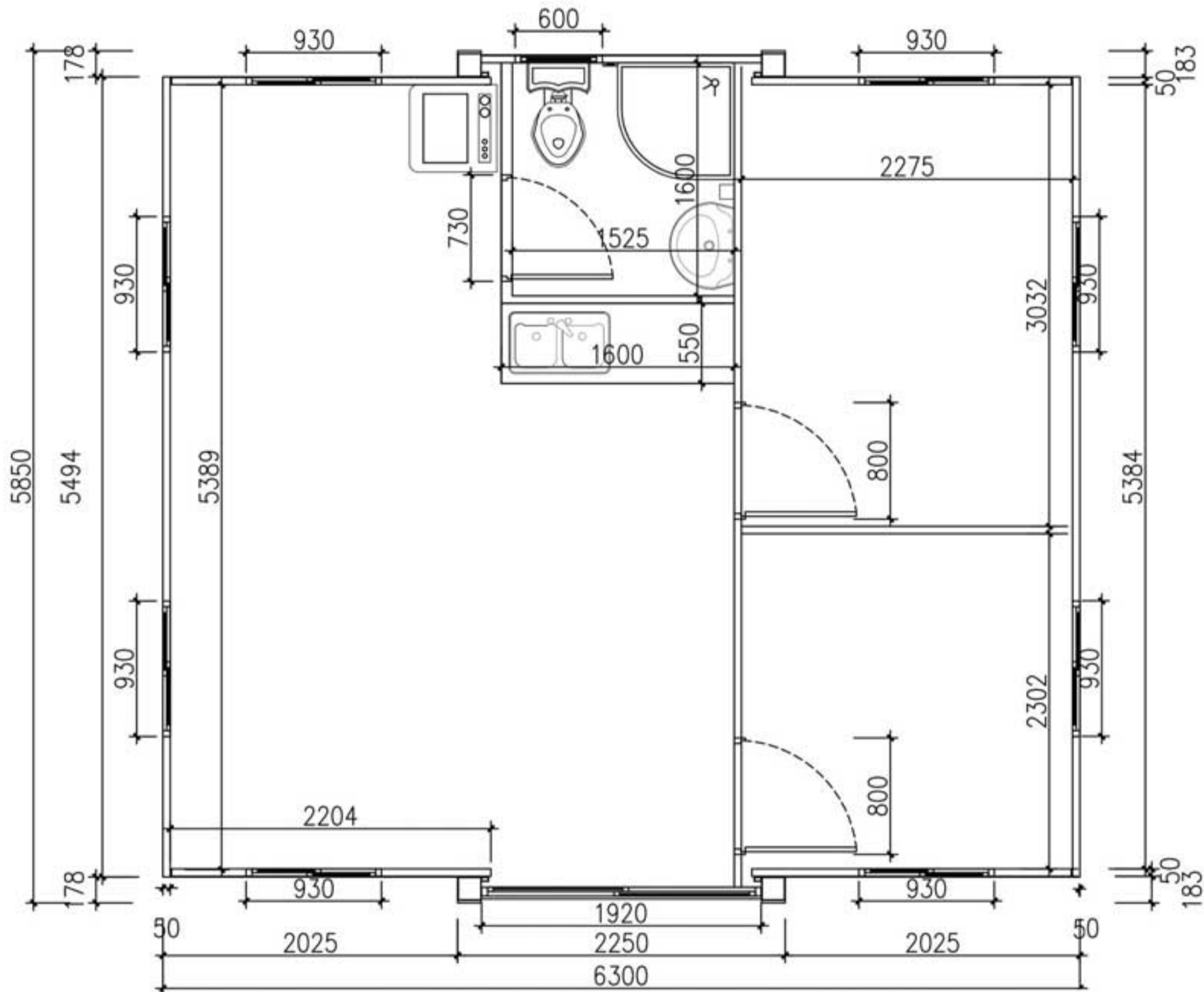


- Standard features include:**
- Easy set up & installation
 - Detailed step by step instructions
 - 1 piece fibreglass cover on side roofs
 - 3mm steel plate over main pod roof
 - Fully plumbed bathroom/kitchenette
 - Stone effect benchtop (silica free)
 - Flip mixers in kitchen/shower/vanity
 - SAA approved electrical fittings
 - Soft closing kitchen cabinets
 - Shower rail and rain maker head
 - Soft close toilet lid
 - Fibre cement (Mgo) flooring
 - Steel flashings for roof step and under walls
 - Provisions for washing machine/dishwasher
 - Aluminium windows and sliding door frames
 - Constructed from a 3mm gal steel frame
 - Option to omit dividing (2/3/4) bedroom wall
 - Power connected by a 15 amp extension lead
 - White aluminium window trims with screens



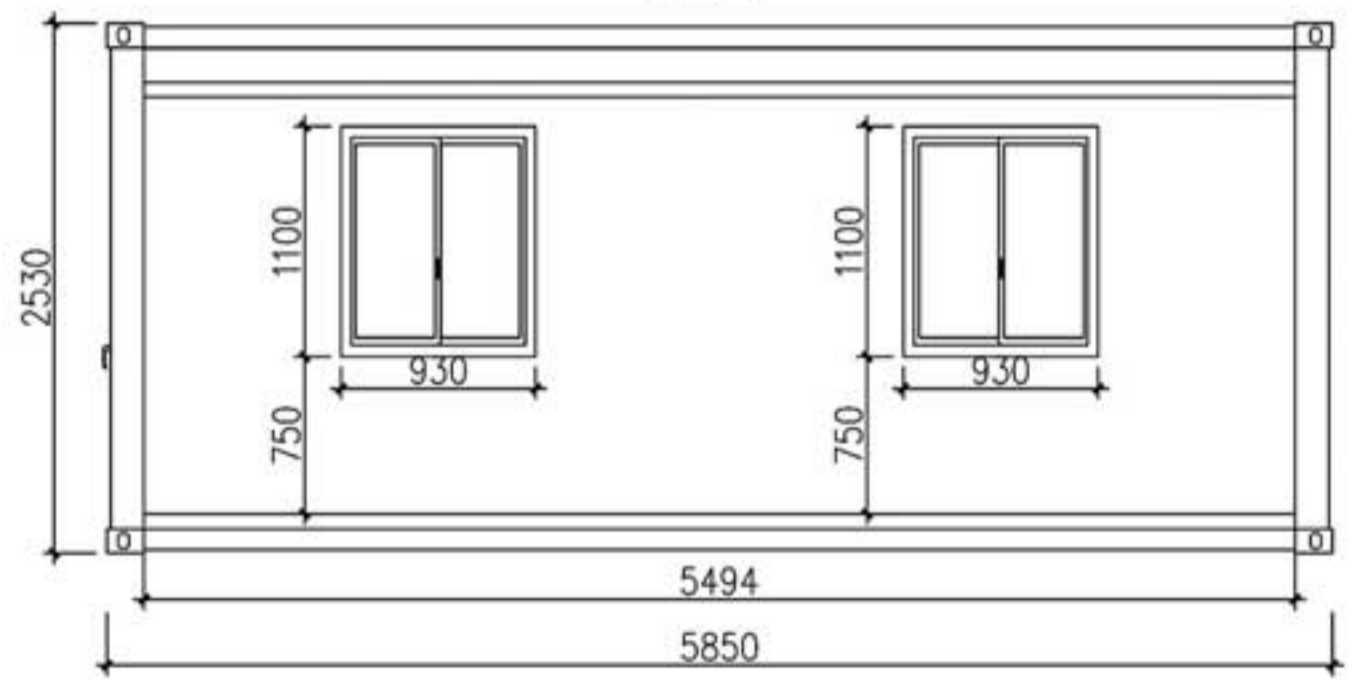
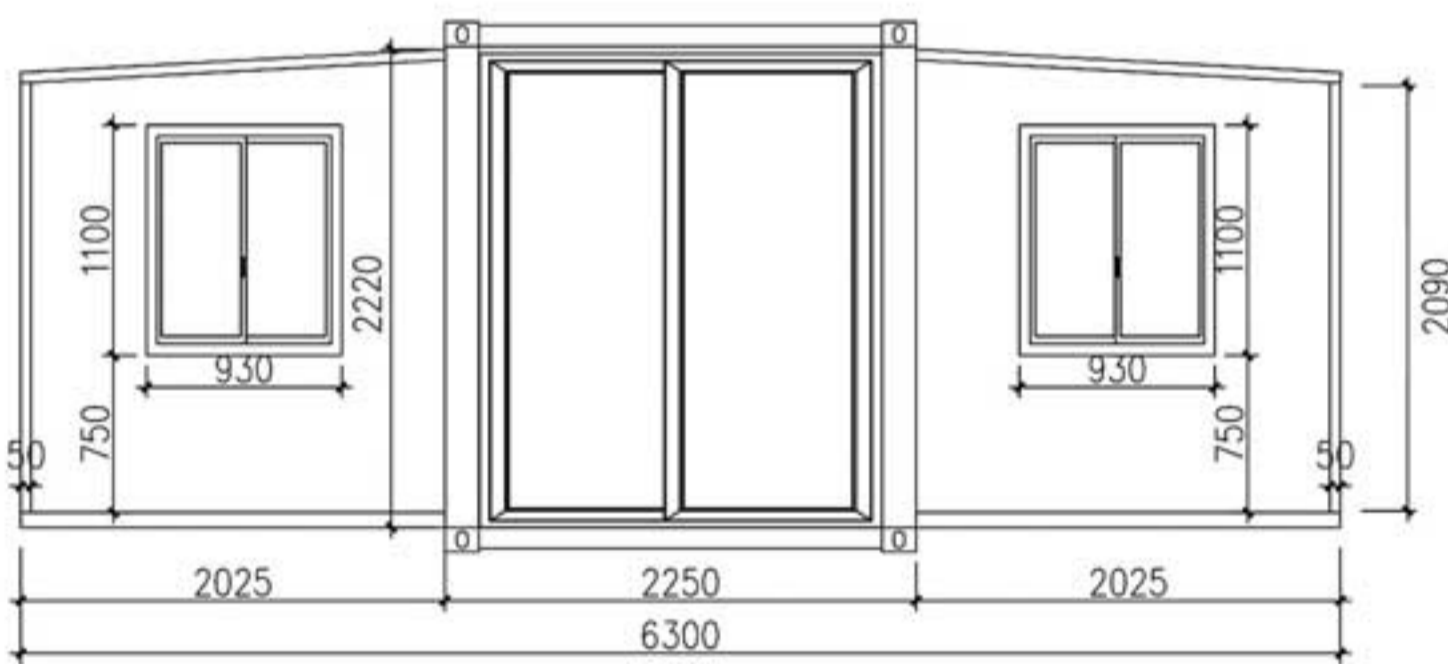
Proudly Australian owned and operated with display villages nation-wide.

Standard Expander - 2 bedroom



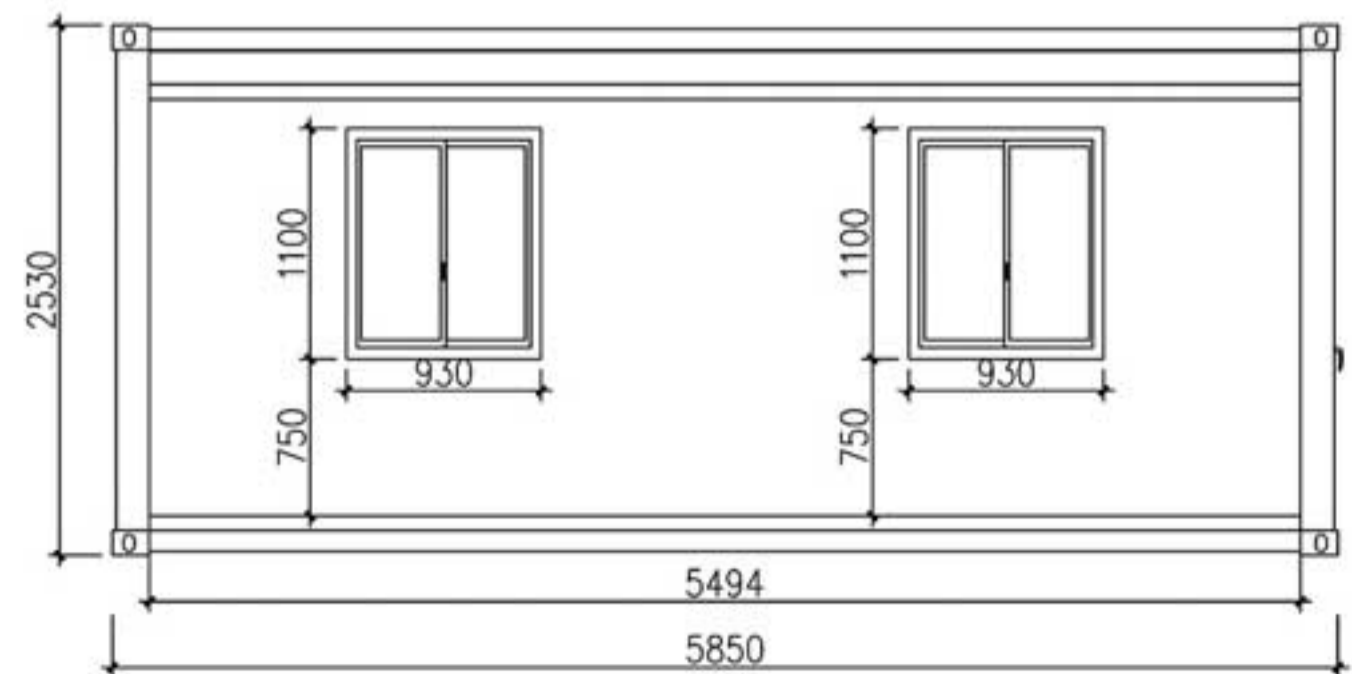
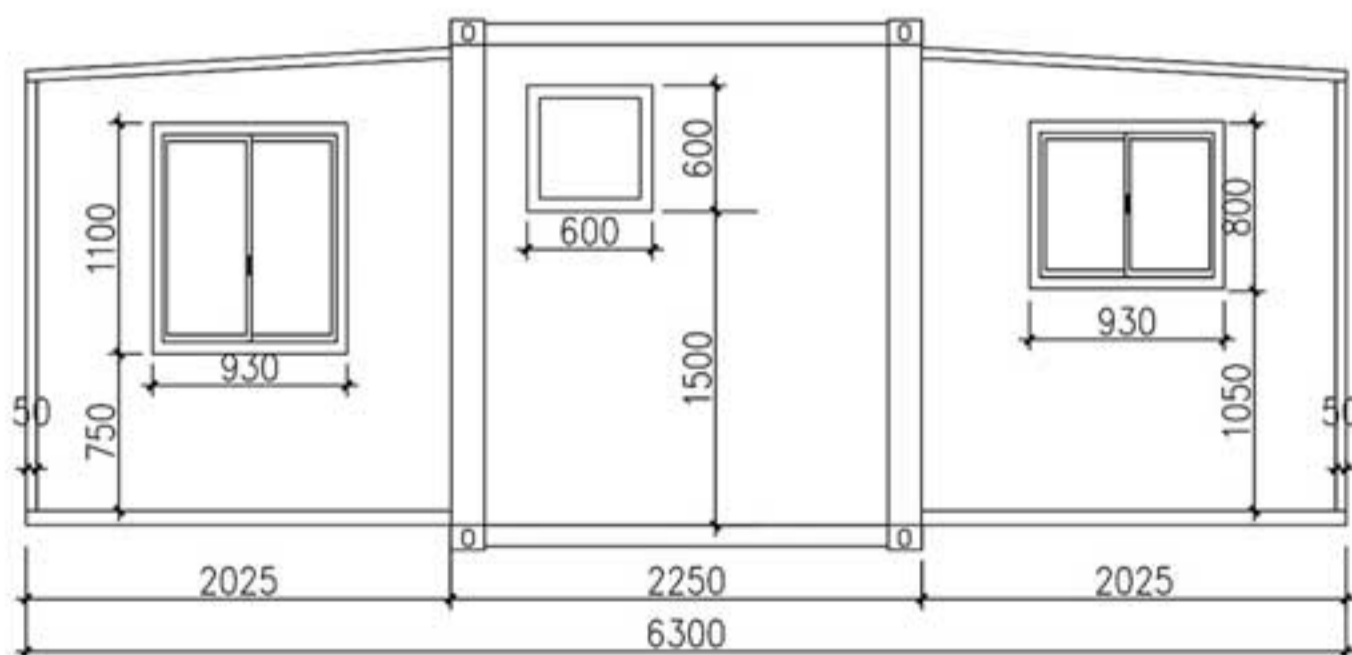
FRONT

LEFT



BACK

RIGHT



Proudly Australian owned and operated with display villages nation-wide.